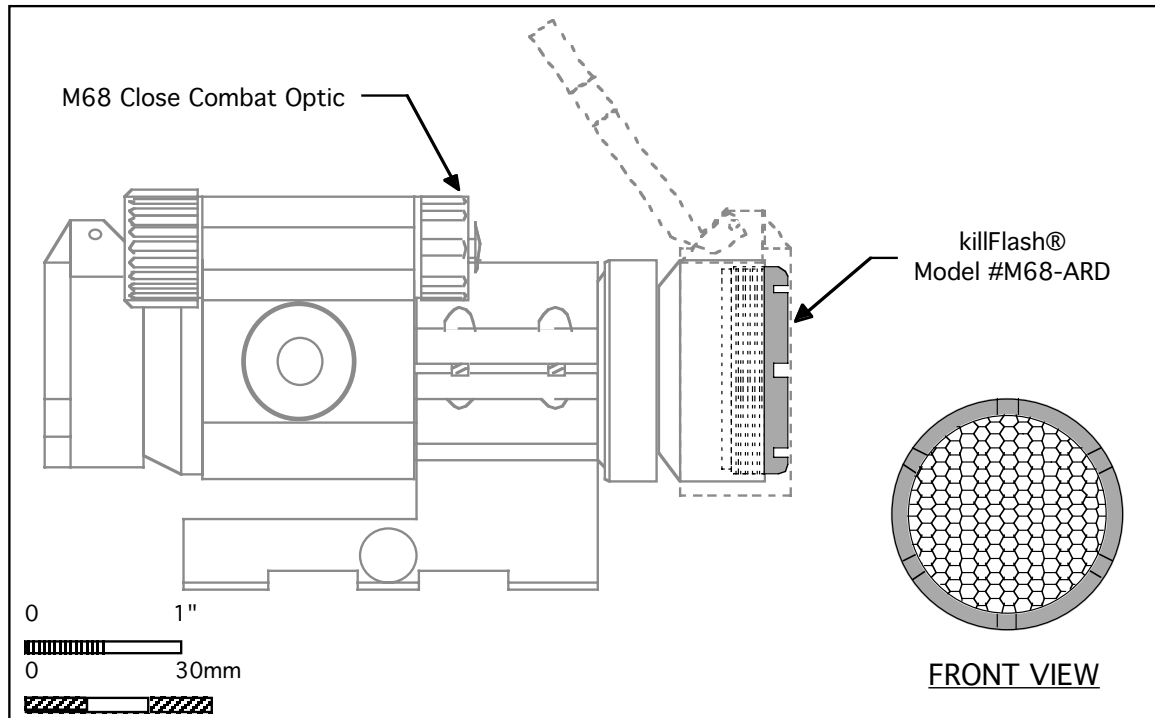


killFlash® M68-ARD

for M68 Close Combat Optic (Aimpoint Comp M)

Tenebraex Corporation www.camouflage.com



SPECIFICATIONS

Mechanical

Dimensions o.d. 1.37" (35mm)
length .47" (12mm)

Weight Each .1 oz. (3g)

Housing Material Matte black glass-filled thermoplastic

Filter Material Resin-reinforced composite honeycomb with special matte black coating

Temp. Range +160 to -60 F
+ 71 to -51 C

Optical

% Light Loss Approximately 15%

Maintenance

Rinse with water to clear cells, blow dry

The killFlash® Model M68-ARD (Anti Reflection Device) is designed to eliminate potentially compromising reflections from the objective lens of the US Army's M68 Close Combat Optic (Aimpoint Comp M / ML). This rugged, low profile unit enhances the Close Combat Optic's use under a wide range of infantry engagement scenarios, including patrolling, MOUT, close quarters battle (CQB), and fire and maneuver operations. The patented geometry of the M68-ARD's honeycomb shield maintains a clear, bright view through the sight and does not interfere with target acquisition. Simple screw-in installation does not require removal of the existing cover.

If they don't see you... they don't shoot you.®

NSN 1290-01-480-0304

326 A Street, Boston, MA 02210 USA • e-mail: sales@camouflage.com